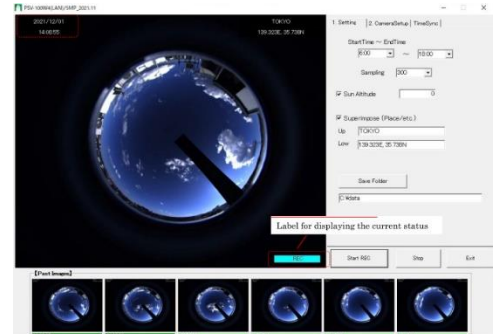


SKYVIEW PSV-100 W5

PREDE



[General]

PSV-100W5 Skyview captures the picture of the sky at the regular intervals and automatically saves the images as a JPEG file into the PC. The “Shading Blade” automatically block the sun, based on the calculation from the Latitude, Longitude, Time and Date information from GPS.

Ventilation fan option is also available for the prevention of the dew on the surface of the glass dome.

Followings are the images of the all-sky condition shot by PSV-100W5.



Upside=North, downside=South, Left=East, Right=West. (File size = approx. 80KB)

PREDE PREDE Co., Ltd.

Head Office: 1117, Kusabana, Akiruno-shi, Tokyo, 197-0802, Japan

Research Center: Sasamoto Bldg, 1-26-8, Kamidaira, Fussa-shi, Tokyo, 197-0012, Japan

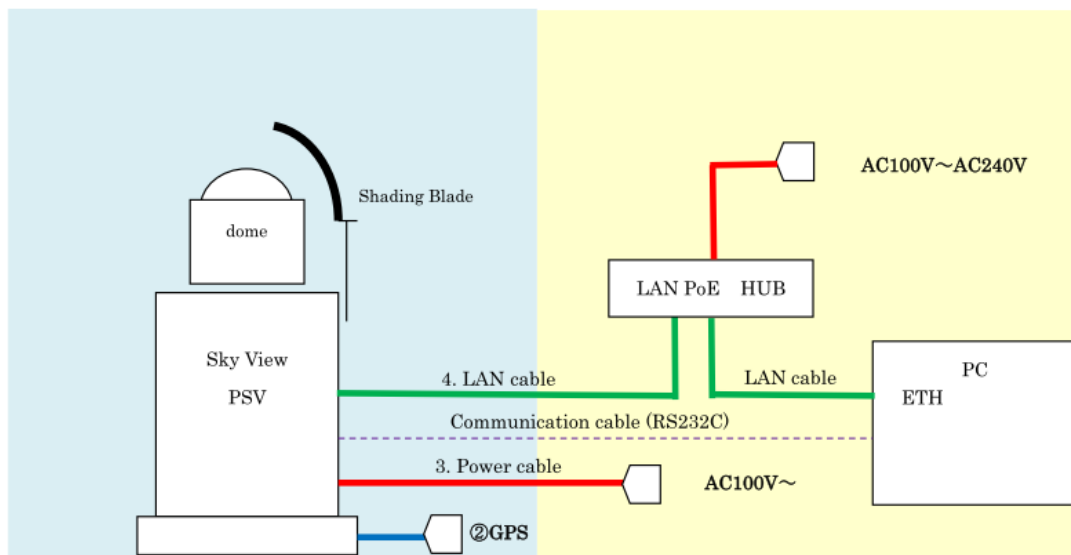
TEL:+81-42-539-3755 FAX:+81-42-539-3757

URL: <http://www.prede.com/> E-mail: sales@prede.com

[Specification]

Tracking unit part		Camera unit part	
Tracking System	Automatic calculation of the sun position by the build in Micro Controller	Lens Focal Length	F1.4
Drive System	5 phase stepping motor	Lens Aperture	Fixed
Azimuth direction	± 180 deg. (South = 0 deg.)	Lens Angle of View	Approx. 180 degrees
Controller	Control board (H8 Micro Controller)	Lens Mount	C
Tracking Accuracy of the Shading blade	Approx ±0.36 degrees	Image Sensor	CMOS (e2v)
Interface	LAN(Pictures), Serial (GPS), Power supply	Effective Pixels (hx v)	2456 x 2054
Operating Temperature Range	-10 to +40 degC	Sensor Size	1/2"
Weight	Approx. 10kg	Resolution / Pixels	5 mega pixels
		Interface	LAN
		Power Supply (Voltage)	PoE powered (or 24VDC)
		Weight	Approx. 1.5kg
Power	100 to 240 VAC		
Power consumption	<200W		
Total weight	Approx. 10kg		
Cable			
Power Cable	3 core 20 m ² 20m (Cable can be extended as an option)		
LAN Cable	20m (Cable can be extended as an option)		
Serial Cable	3m for maintenance (not normally used)		
Option			
Ventilation fan	PO-159 (24VDC for preventing frost)		
Heater	PO-160 (60W x 2)		
PC	PC with Windows OS		
OS	Windows 10, 64bit		
Memory	4.0GB or more (8.0GB recommended)		
HDD free space	>100GB or more		
Monitor Resolution	>1024 x 768 dots (XGA) or more, 16bit color or more		
Remarks	Do not use screen saver, Do not execute other software, programs, nor applications while running the PSV-100W5 program.		

[Configuration]



[Software]

- Configure the Start time/end time/recording period, storing directly, switching of auto/manual mode.
- Display of Latest image, retrieval of previously stored images.
- Thumbnail display of last 6 images.
- File name, data and time (Hour:minutes) will be automatically created.

[Additional features can be added to the software on demand](#)

i.e.1: Additional meteorological data on the images such as temperature and humidity.

i.e.2: Transferring image data through FTP server.